



GATES, DIVERTERS & LOADING SPOUTS FOR

INDUSTRIAL SAND

Our knowledge and experience with handling abrasive materials like industrial sand came from an extended and close working relationship with the minerals industry. We identified slide gates and diverter valves' key wear points, reinforced those areas with abrasion resistant materials, and added features to reduce the time it takes to perform maintenance on our components. These improvements extend the valve's service life and reduce life-cycle costs.



TPV Gate

ABRASIVE APPLICATIONS

Blade and seat made of abrasion resistant 60 Rockwell C hard material

HIGHER PRESSURE APPLICATIONS

Up to 6 barg

HIGHER TEMPERATURE APPLICATIONS

660°F / 350°C plus



GATES, DIVERTERS & LOADING SPOUTS FOR

INDUSTRIAL SAND

TLD Diverter

WEAR RESISTANT LINERS

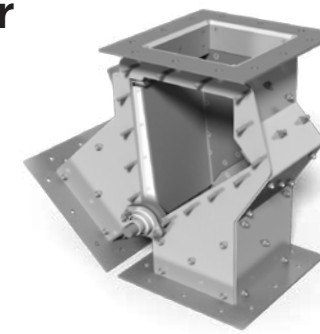
Many options to address material handled

PROTECTED BLADE

Leading edge is protected from material flow

ACCESS PANEL

Allows for inspection or maintenance while in place



2-WAY



3-WAY

Aggregate Gate

INLET DEFLECTORS

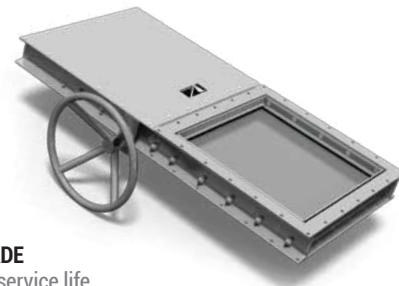
Protect blade rollers from material flow

DISPLACEMENT AREA

Traps material upon blade closure and reduces wear

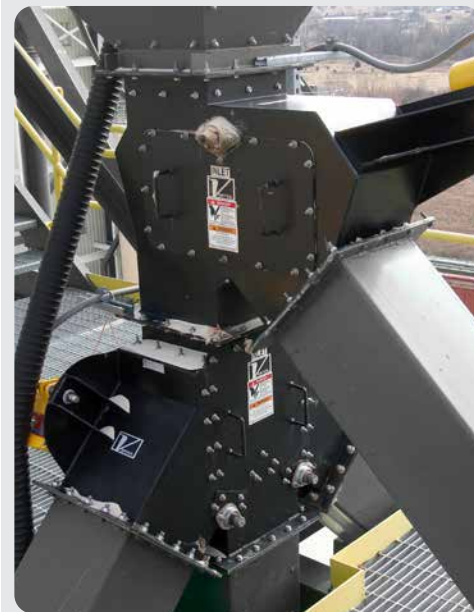
ABRASION RESISTANT BLADE

Reduces wear and extends service life



From Heavy-Duty

Material Handling



To Heavy-Duty

Material Loading



With an emphasis on

Safety & the Environment



TSG Gate

DISPLACEMENT POCKET

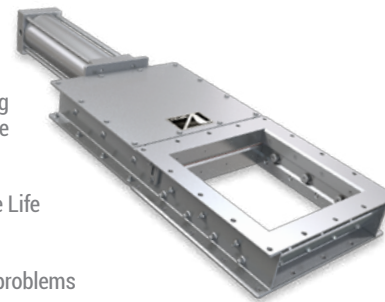
Eliminates jamming & packing of material upon blade closure

WEAR RESISTANT LINERS

Reduce wear / Extend Service Life

OPTIONAL BONNET PURGE

Reduces potential actuation problems or material leakage



Aggregate Diverter

UNIQUE BUCKET DESIGN

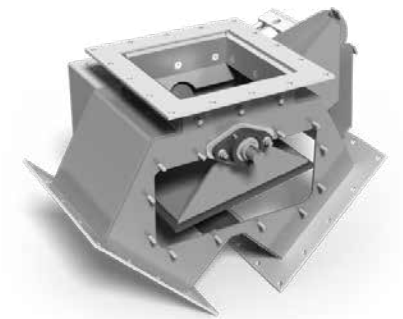
Accommodates a variety of abrasion resistant liners

INTERNAL ROCK BOXES

Greatly extends the overall life of the diverter

ACCESS PANEL

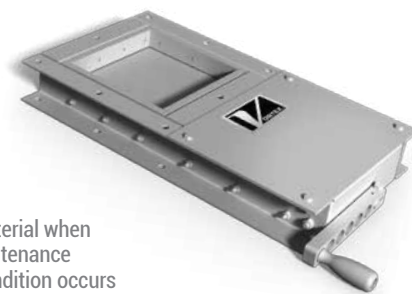
Allows for inspection or maintenance while in place



Maintenance Gate

MANUAL SHUT OFF

Gate stops the flow of material when downstream product maintenance is required or an upset condition occurs



Loading Spout

DUST FREE LOADING

Fast, dust-free (EPA friendly) dry bulk loading

4 CABLE LIFTING DESIGN

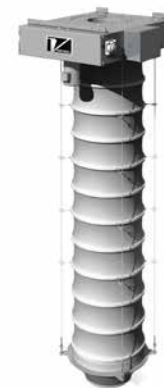
Offers maximum stability

3 PIECE, CNC MACHINED PULLEYS

Reduces cable wear - 10 year cable warranty

CONE MATERIAL OPTIONS

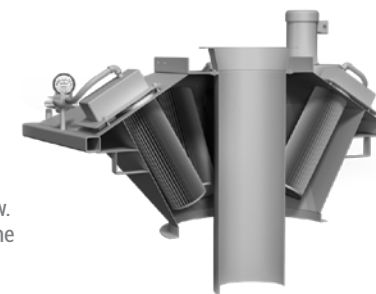
To address wear, abrasion of material



Spout Filtration System

DUST FREE LOADING

Engineered to capture the fugitive dust emitted during loading and deposit it back into the material flow. The dust becomes part of the load and is sold rather than re-routed and thrown away



Spout Positioner

AVAILABLE IN SINGLE & DUAL AXIS

Expedites loading process. Spout may be easily positioned - eliminating the need to reposition vehicles

MAINTENANCE FRIENDLY DESIGN

Hopper seals may be replaced without having to remove loading spout or hopper to access





GLOBAL OFFICES

Vortex USA

+1 888.829.7821

vortex@vortexvalves.com

www.vortexvalves.com

Vortex Latin America

+1 785.309.2138

ventas@vortexvalves.com

www.vortexamericas.com

Vortex UK

+44 (0) 870.770.9861

vortex.eu@vortexvalves.com

www.vortexvalves.co.uk

Vortex Asia - Pacific

+86 (0) 21 5835 0100

asia.pacific@vortexvalves.com

www.vortexvalves.cn

WWW.VORTEXVALVES.COM

TSSB-0416

© Copyright 2016 Salina Vortex Corporation. All rights reserved. All materials, content and forms contained in this catalog are the intellectual property of the Salina Vortex Corporation and may not be copied, reproduced, distributed or displayed without the express written permission of the Salina Vortex Corporation. For more information please visit www.vortexglobal.com