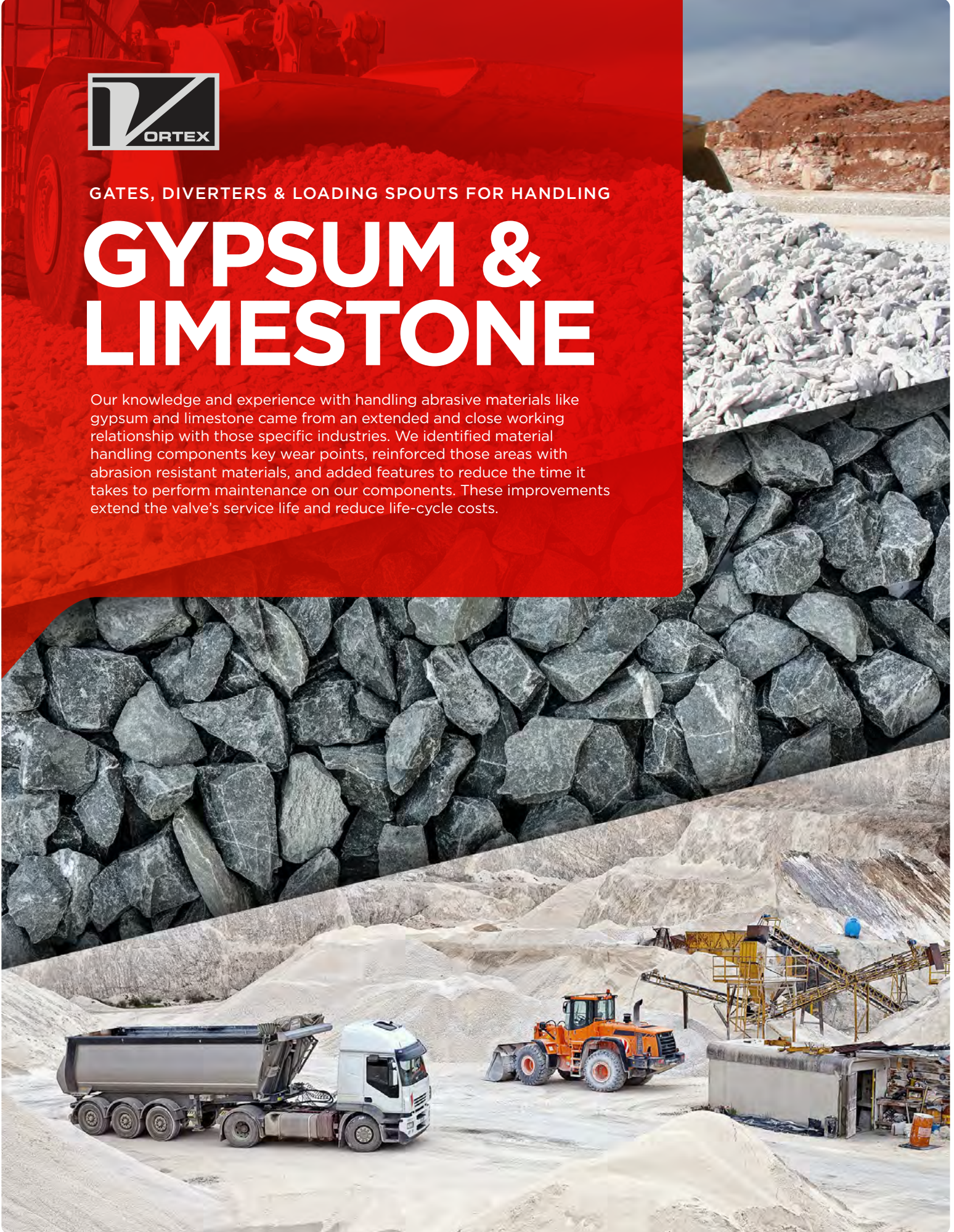




GATES, DIVERTERS & LOADING SPOUTS FOR HANDLING

GYPSUM & LIMESTONE

Our knowledge and experience with handling abrasive materials like gypsum and limestone came from an extended and close working relationship with those specific industries. We identified material handling components key wear points, reinforced those areas with abrasion resistant materials, and added features to reduce the time it takes to perform maintenance on our components. These improvements extend the valve's service life and reduce life-cycle costs.



Aggregate Diverter

UNIQUE BUCKET DESIGN
Accommodates a variety of abrasion resistant options

INTERNAL ROCK BOXES
Greatly extends the overall life of the diverter

ACCESS PANEL
Allows for inspection or maintenance while in place

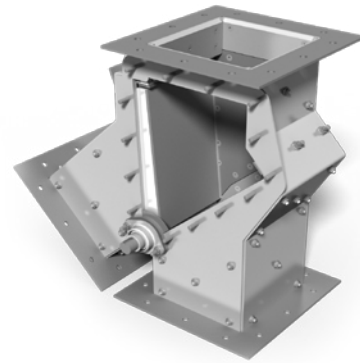


TLD Diverter

WEAR RESISTANT LINERS
Many options to address material handled

PROTECTED BLADE
Leading edge is protected from material flow

ACCESS PANEL
Allows for inspection or maintenance while in place



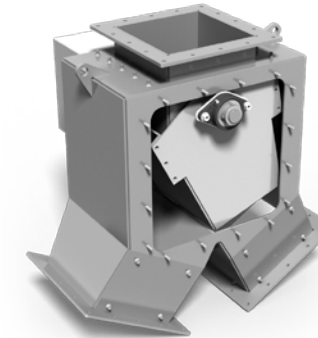
PCD Diverter

INTERNAL PIVOTING CHUTE
Addresses material abrasion

MINIMAL MAINTENANCE
Maintenance can be performed while valve is in place

SHIFTS ON THE FLY

UNRESTRICTED MATERIAL FLOW



Wye Line Diverter

DUST TIGHT SEAL
Positive seal of fine powders and conveying line pressure

DIVERTS AND CONVERGES
Diverts or converges material flow in pneumatic applications

IN-LINE MAINTENANCE
Serviceable while in-line



AVAILABLE IN 2,3 & 4-WAY CONFIGURATIONS

Roller Gate

DUST TIGHT SEAL
Positive seal of dust and fine powders

IN-LINE MAINTENANCE
Serviceable while in-line

SAFE OPERATION
Valve has no pinch points or exposed moving parts



Components for Handling Gypsum & Limestone

Gypsum and limestone are essential minerals used extensively in the building industry. Both are formed from calcium salts; however, their properties and uses differ.

Gypsum (calcium sulfate)

A softer material (1.5 – 2 on the Mohs scale). It is the main ingredient in drywall, acting as a fire retardant due to its low thermal conductivity. In agriculture, it loosens clay soil. It is a thickening agent for creams and shampoo and a hardening retarder for cement.



Limestone (calcium carbonate)

A bit harder (3 – 4 on the Mohs scale). It is used as an additive to make cement, a road base, a treatment for acidic soil, a calcium supplement for chickens and cattle, white pigment in toothpaste and paints, and antacid tablets. The great pyramid is made of limestone.

Vortex gates, diverters, and loading spouts are relied on to handle both minerals through various processes from rock to powder.

WWW.VORTEXGLOBAL.COM



QUICK FACT: Gypsum and limestone are two of the most widely used minerals in the world. Globally, more than 100 million tons of each are mined annually.

Orifice Gate

SELF-CLEANING
Mechanically self-cleans on opening stroke

UNOBSTRUCTED OPENING
Seals protected from blast abrasion and material flow

IN-LINE MAINTENANCE
Serviceable while in-line

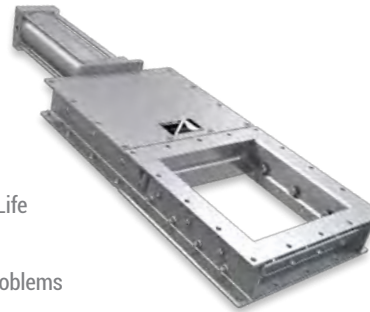


TSG Gate

DISPLACEMENT POCKET
Eliminates jamming & packing of material upon blade closure

WEAR RESISTANT LINERS
Reduce wear / Extend Service Life

OPTIONAL BONNET PURGE
Reduces potential actuation problems or material leakage

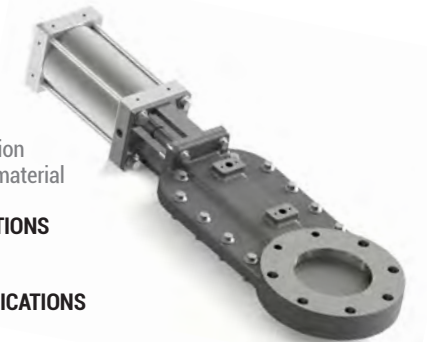


TPV Gate

ABRASIVE APPLICATIONS
Blade and seat made of abrasion resistant 60 Rockwell C hard material

HIGHER PRESSURE APPLICATIONS
Up to 6 barg

HIGHER TEMPERATURE APPLICATIONS
660°F / 350°C plus

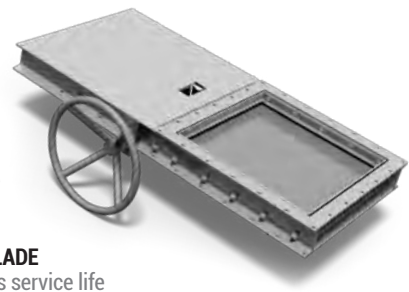


Aggregate Gate

INLET DEFLECTORS
Protects blade rollers from material flow

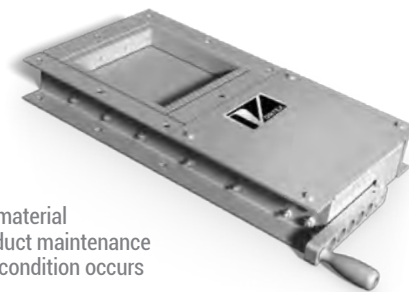
DISPLACEMENT AREA
Traps material upon blade closure and reduces wear

ABRASION RESISTANT BLADE
Reduces wear and extends service life



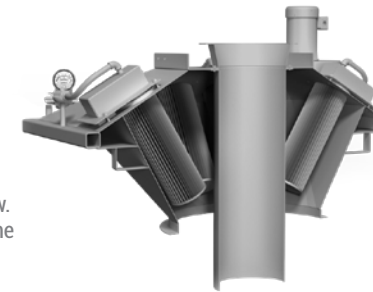
Maintenance Gate

MANUAL SHUT OFF
Gate stops the flow of material when downstream product maintenance is required or an upset condition occurs



Spout Filtration System

DUST FREE LOADING
Engineered to capture the fugitive dust emitted during loading and deposit it back into the material flow. The dust becomes part of the load and is sold rather than re-routed and thrown away.



Loading Spout

DUST FREE LOADING
Fast, dust-free (EPA friendly) dry bulk loading

4 CABLE LIFTING DESIGN
Offers maximum stability

3 PIECE, CNC MACHINED PULLEYS
Reduces cable wear - 10 year cable warranty

CONE MATERIAL OPTIONS
To address wear, abrasion of material





GLOBAL OFFICES

Vortex USA

+1 888.829.7821

vortex@vortexvalves.com

www.vortexglobal.com

Vortex Latin America

+1 785.309.2138

ventas@vortexvalves.com

es.vortexglobal.com

Vortex UK

+44 (0) 870.770.9861

global@vortexvalves.com

www.vortexglobal.com

Vortex Asia - Pacific

+86 (0) 21 5835 0100

asia.pacific@vortexvalves.com

www.vortexglobal.cn

WWW.VORTEXGLOBAL.COM

TGLB-0716

© Copyright 2016 Salina Vortex Corporation. All rights reserved. All materials, content and forms contained in this catalog are the intellectual property of the Salina Vortex Corporation and may not be copied, reproduced, distributed or displayed without the express written permission of the Salina Vortex Corporation. For more information please visit www.vortexglobal.com